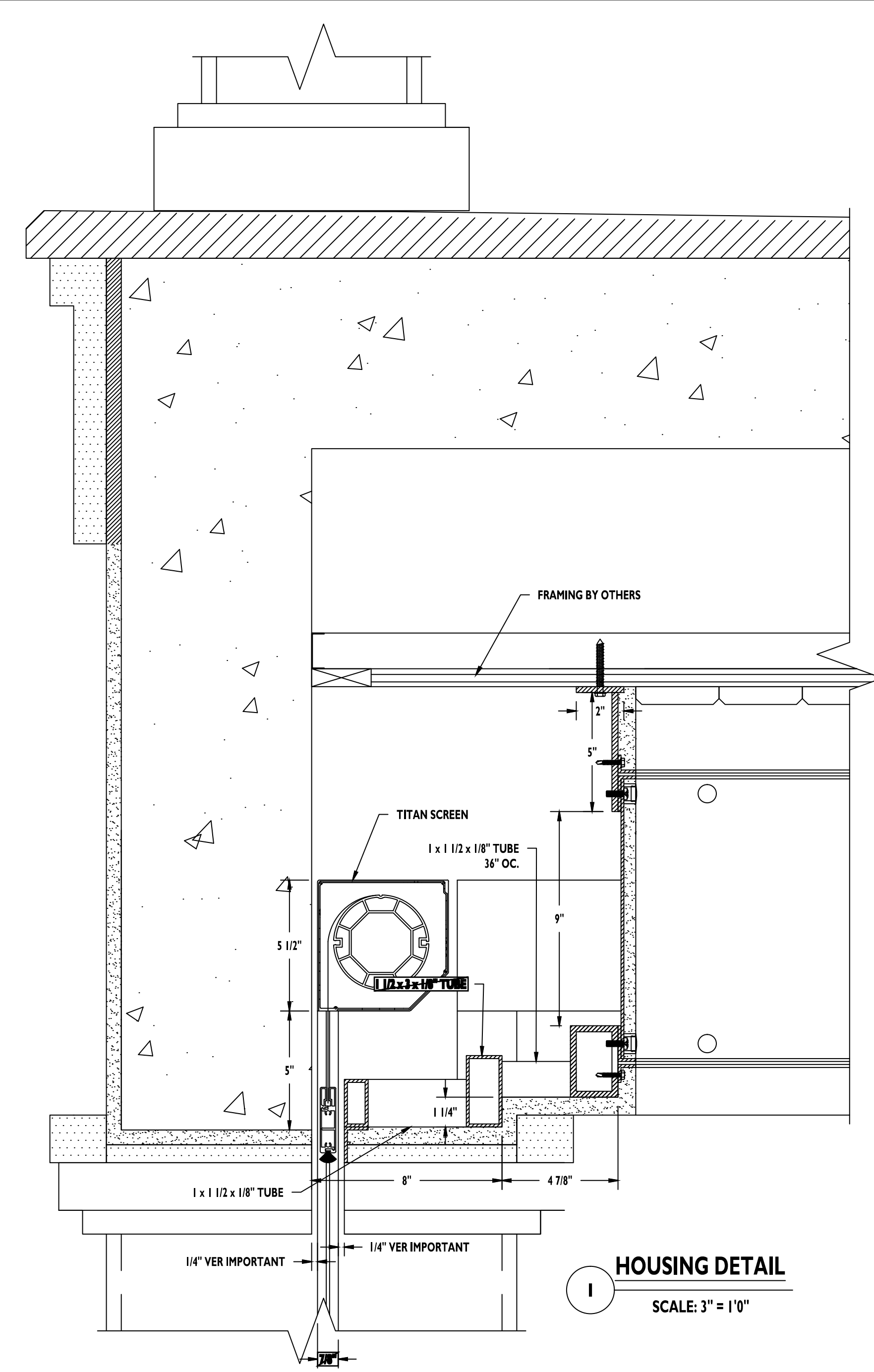
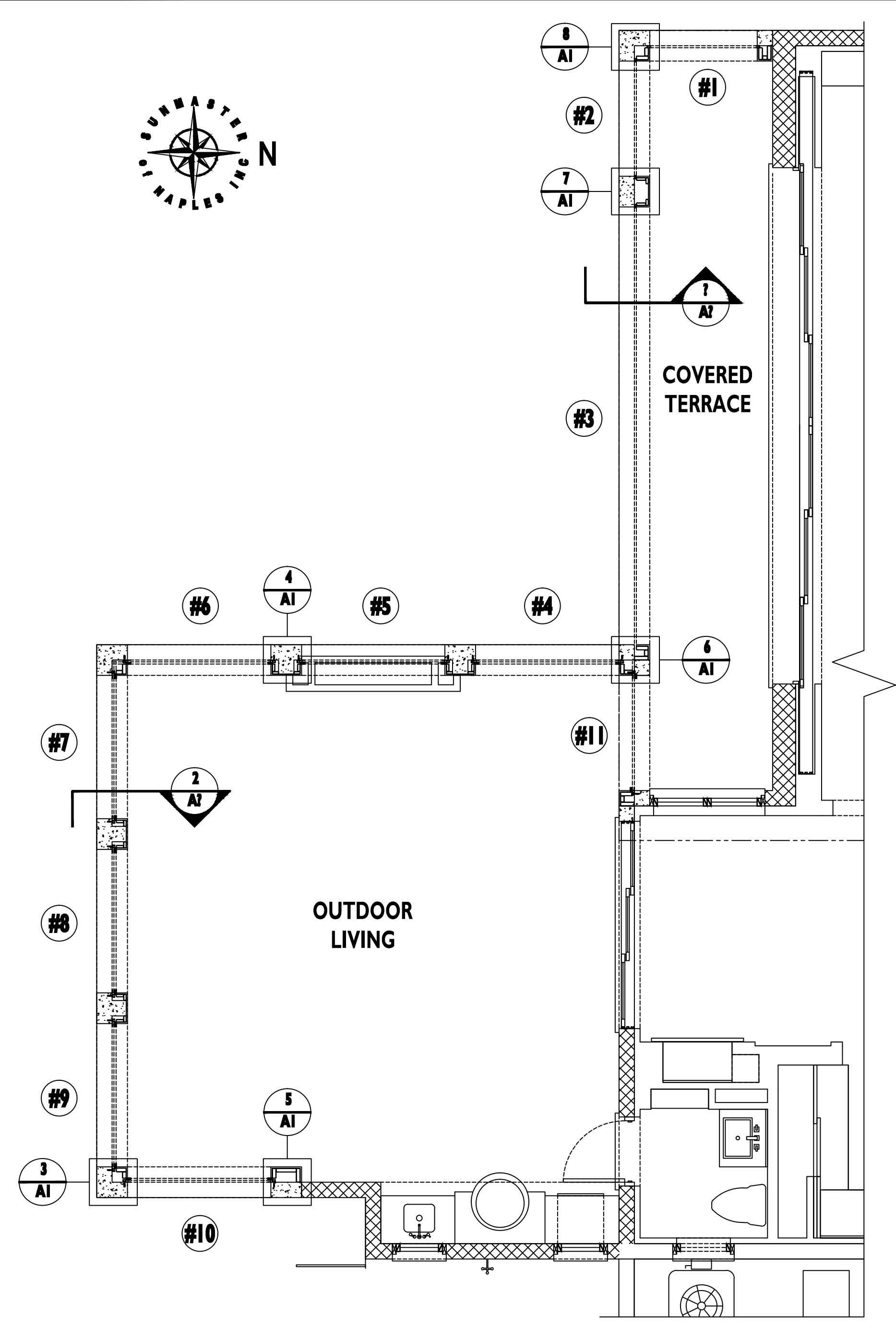
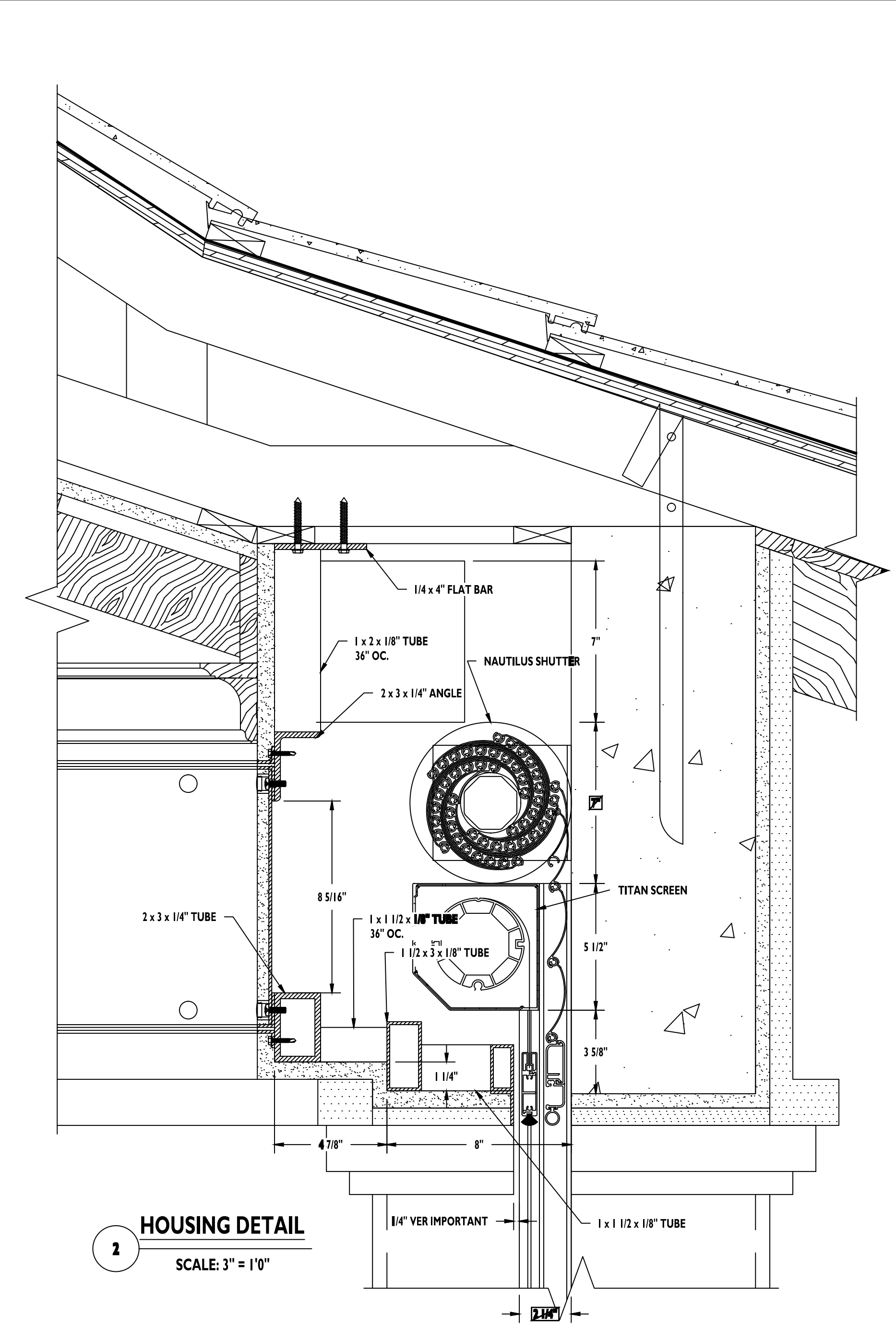


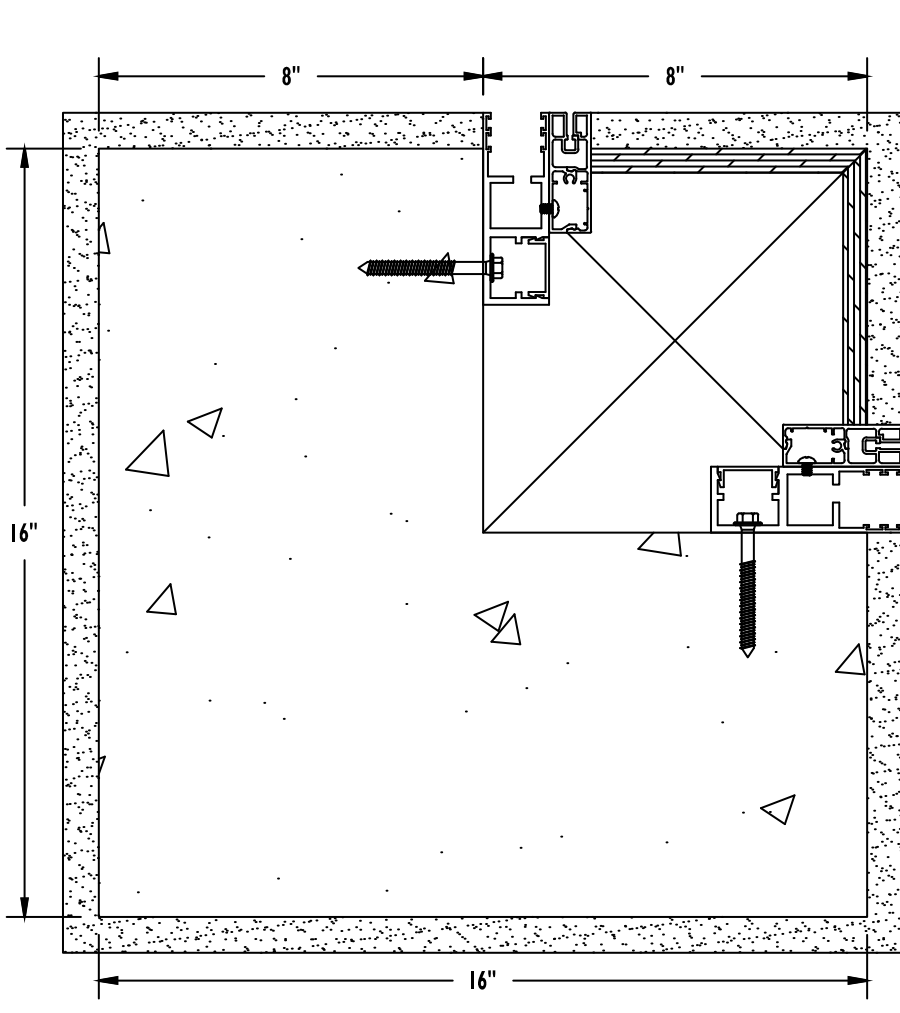
**Built-in Column Detail with and without Shutters**



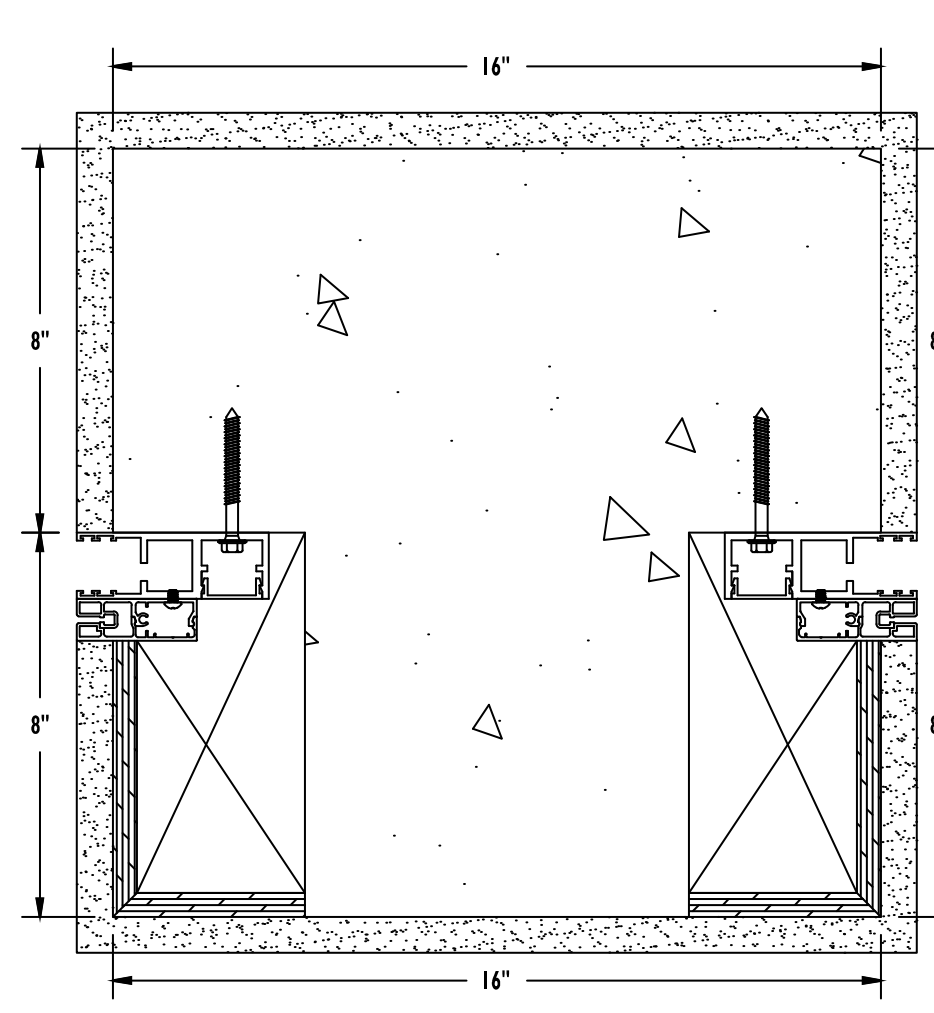
**1 HOUSING DETAIL**  
SCALE: 3" = 1'0"



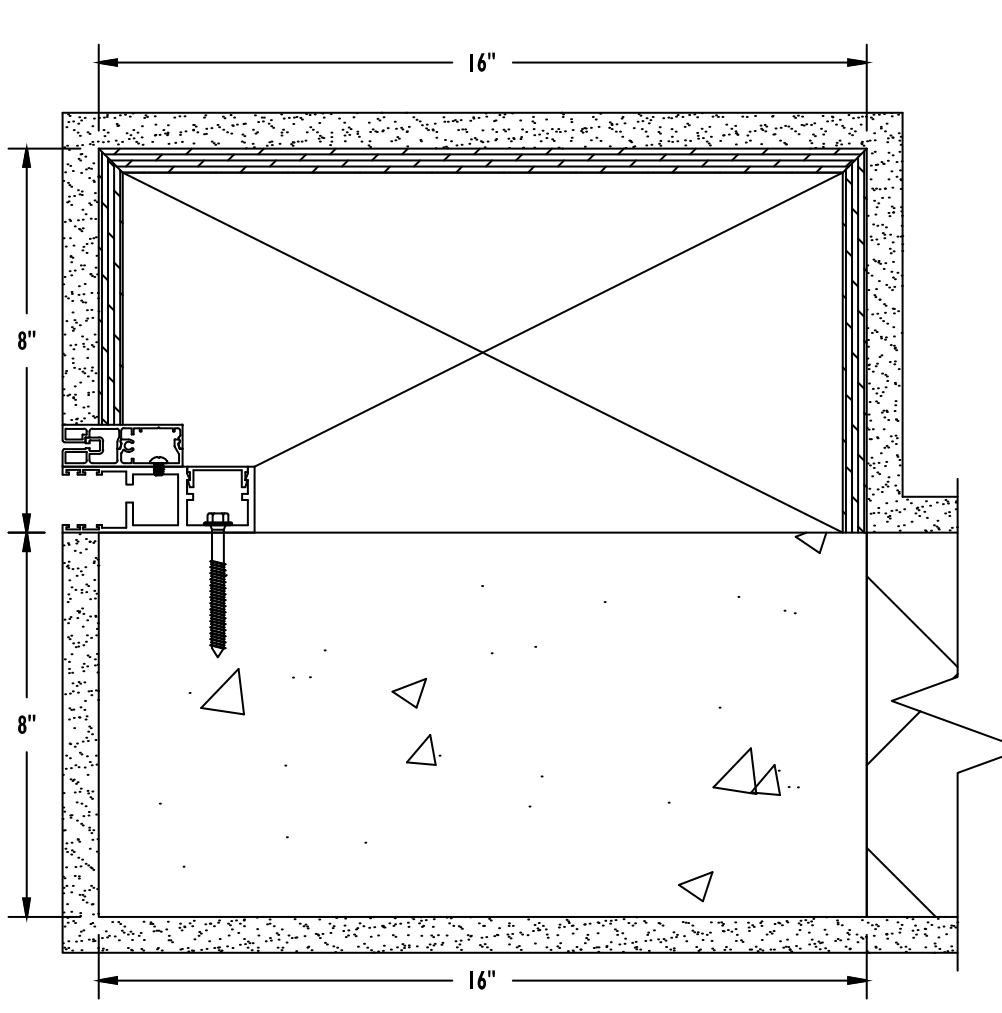
**2 HOUSING DETAIL**  
SCALE: 3" = 1'0"



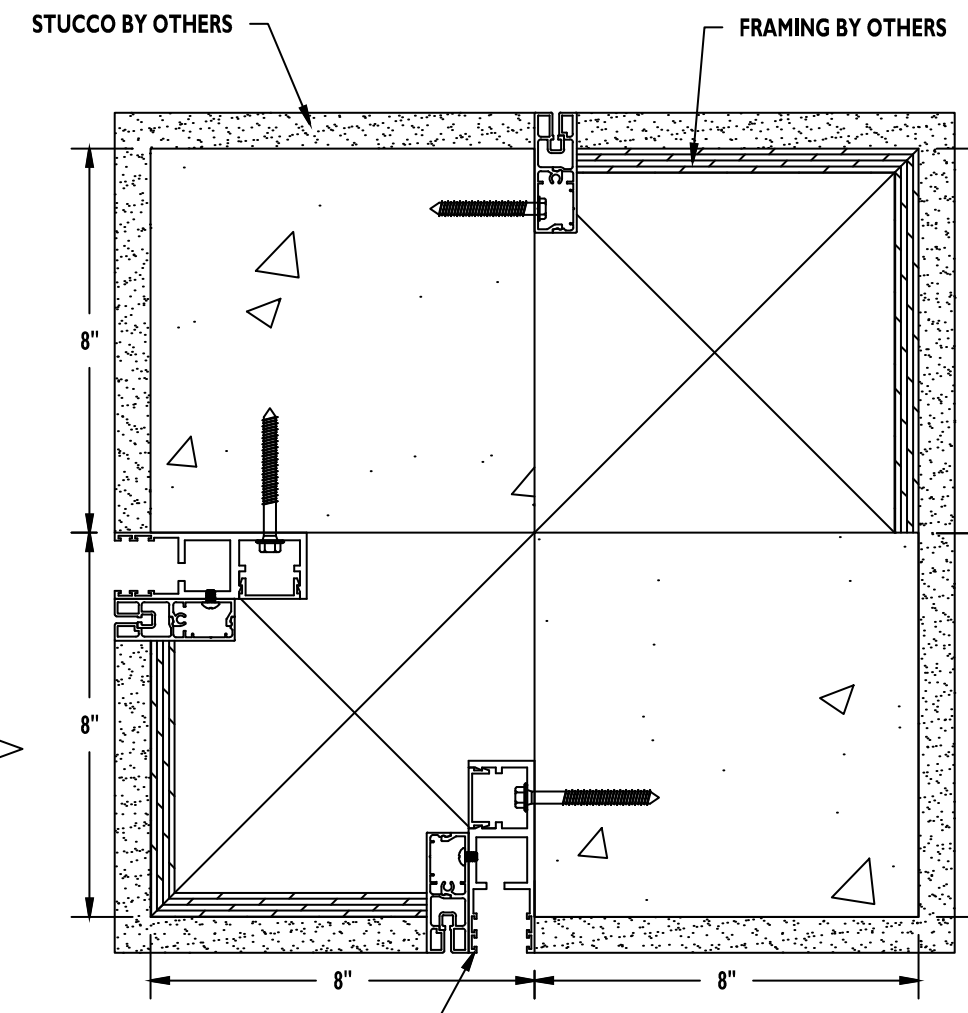
**3 COLUMN DETAIL**  
SCALE: 3" = 1'0"



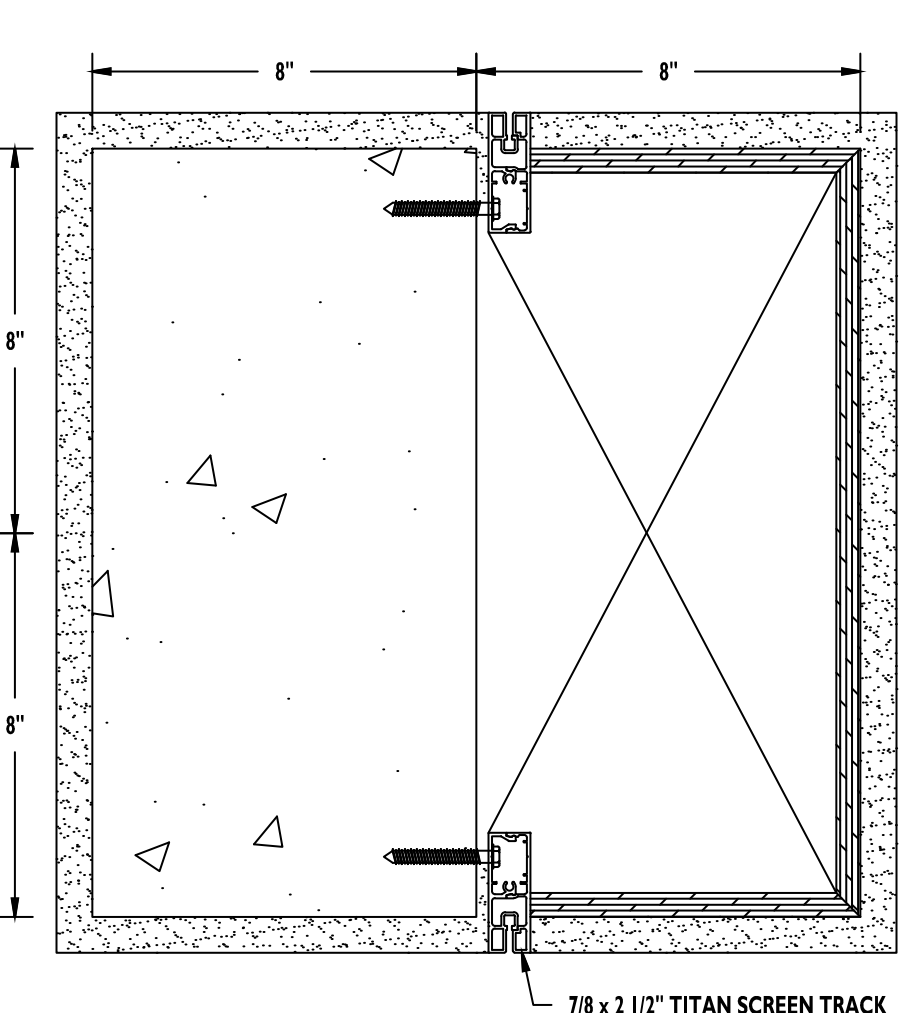
**4 COLUMN DETAIL**  
SCALE: 3" = 1'0"



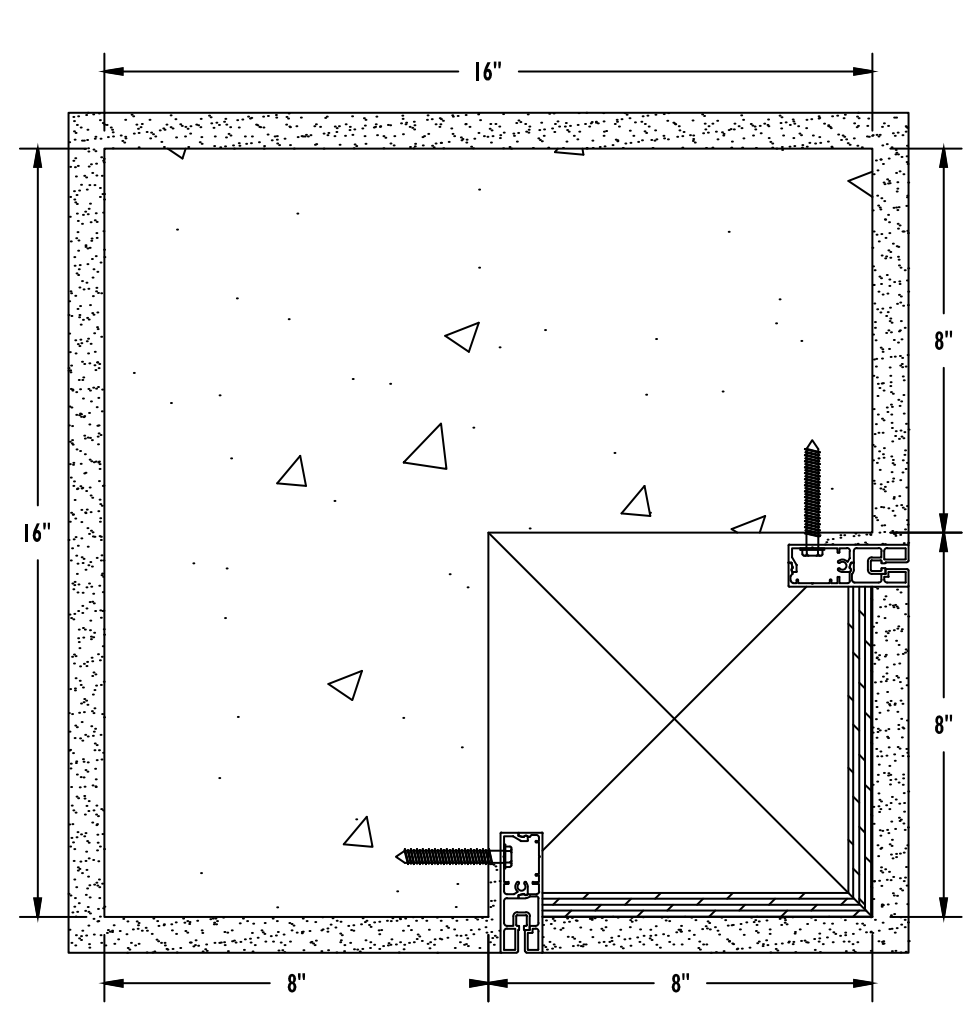
**5 COLUMN DETAIL**  
SCALE: 3" = 1'0"



**6 COLUMN DETAIL**  
SCALE: 3" = 1'0"



**7 COLUMN DETAIL**  
SCALE: 3" = 1'0"



**8 COLUMN DETAIL**  
SCALE: 3" = 1'0"

**General Notes**

1. ALL MEASUREMENTS ARE AS TO PLAN.
2. ALL MATERIALS SHALL BE 6063-T5 ALUMINUM ALLOY UNO.
3. SHUTTER STRUCTURE AND TRACKS MUST BE INSTALLED PRIOR TO ROUGH FRAMING.
4. ALL DIMENSIONS SHALL BE FIELD VERIFIED PRIOR TO FABRICATION.
5. ALL FASTENERS TO BE STAINLESS STEEL OR HAVE PROTECTIVE COATING.
6. SHUTTER & SCREEN TRACK TO BE WHITE
7. SHUTTER ACCESS TO BE PROVIDED BY OTHERS.
8. SHUTTER ACCESS MUST ALLOW UNOBSTRUCTED ACCESS TO THE FULL WIDTH OF THE SHUTTER.
9. CONTRACTOR TO COORDINATE ELECTRICAL & LOW VOLTAGE INSTALL PRIOR TO SHUTTER INSTALLATION
10. SOME SOFFIT FRAMING BY SUNMASTER.
11. SCREEN MATERIAL TO BE BLACK 17-20 SUPER SCREEN
12. EACH SCREEN MOTOR WILL DRAW 2.1 AMPS OR LESS.
13. EACH SHUTTER MOTOR WILL DRAW 4 AMPS OR LESS.
14. ALL MOTORS TO BE ON THE RIGHT SIDE WHEN LOOKING OUT.